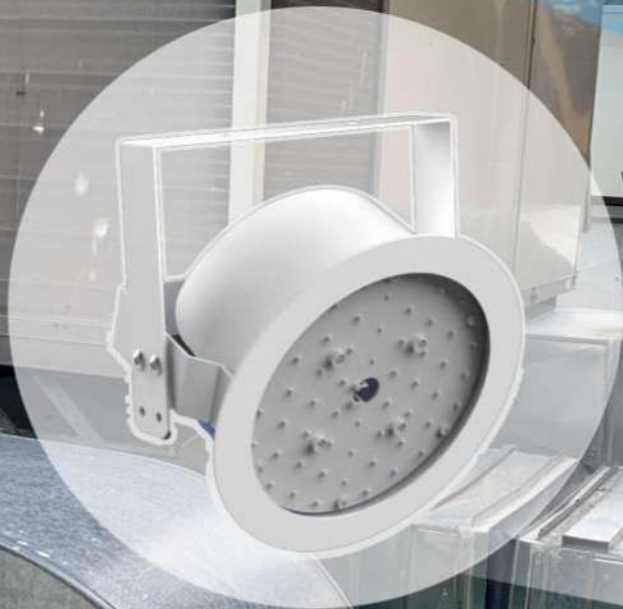


NEXNORD

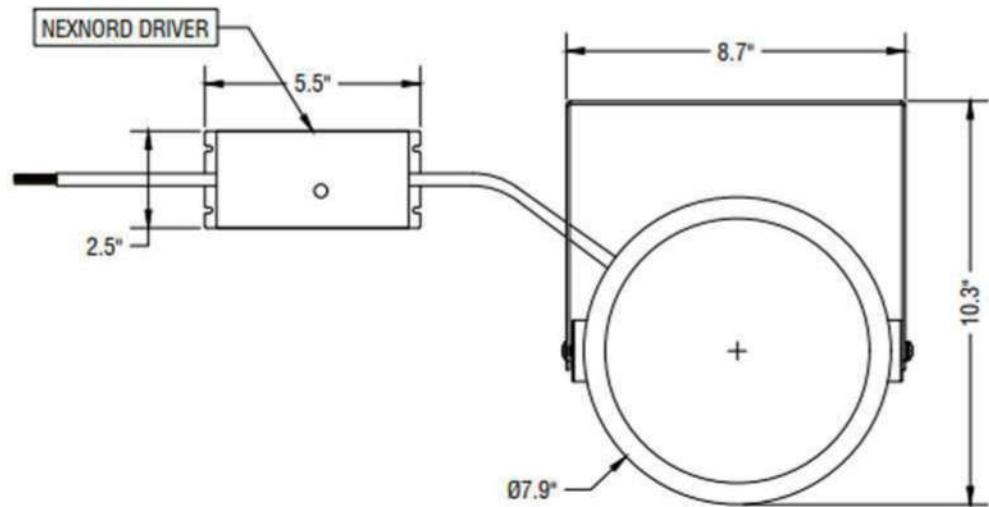
ENGINEERED UVC LED LIGHTING SOLUTIONS

TITAN UVC LED AIR PURIFICATION DEVICE

Reduces Indoor Airborne Pathogens

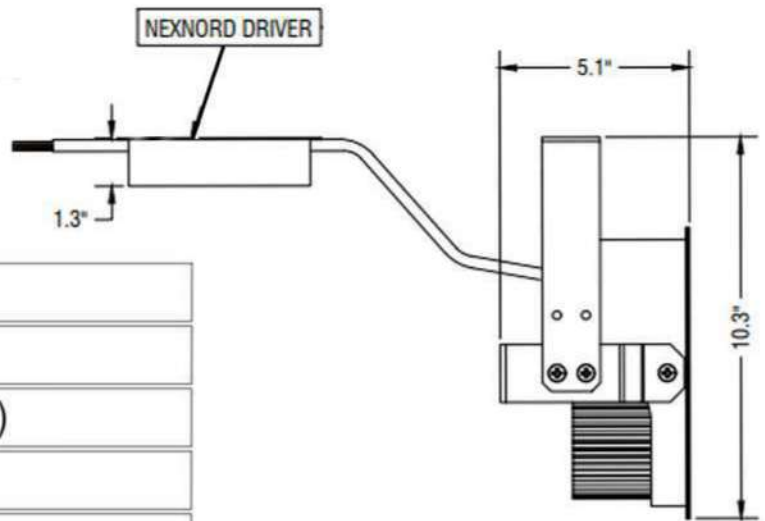


SPECIFICATIONS



FRONT VIEW

The Titan UVC device has enough energy to reduce Indoor Airborne Pathogens



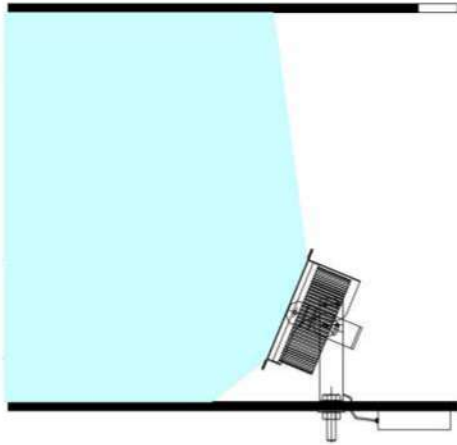
SIDE VIEW

WAVE LENGTH	280nm
LED UV Power	70watts
Input Voltage	120-277, (374 - 480*)
Power Factor	0.9
Total Harmonic Distortion	<10%
Frequency	50/60
Light Beam Angle	130°
Operating Temp.Range	-40°C to 60°C (-40°F to 140°F)
Application	Indoor air disinfection & sterilization
Electrical Cert.	ETL
Connection Type	Pig Tails
Surge Protection	6KV/4KV
IP Rating	IP 65
Compliance	FDA

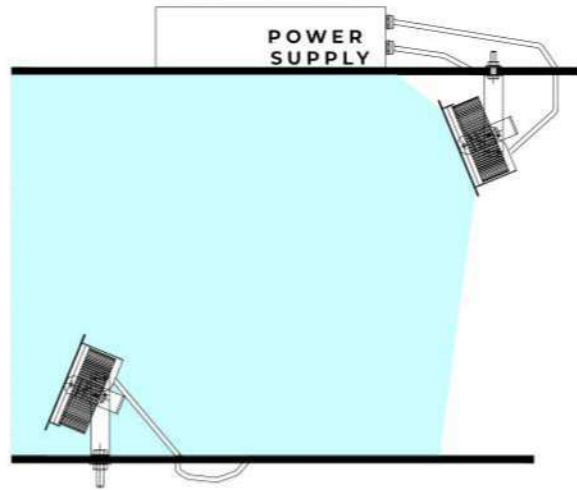
Titan Air Duct UVC LED Light vs Other Virus Disinfecting Methods

	Titan Air Duct UVC LED Light	Lamp Air Duct UVC Light	Defogger Chemical Cleaning	HEPA Filter
State of the art technology	Yes	No	N/A	No
Most powerful	Yes	No	No	No
Holds up to the furnace fan vibration	Yes	No	N/A	Yes
Rugged and robust	Yes	No	N/A	No
Suitable for air duct application	Yes	No	No	Yes
Reduces indoor airborne viruses	Yes	Yes	No	No
Enough power to reduce indoor airborne viruses and bacteria	Yes	No	No	No
Superior performance	Yes	No	No	No
Light comes on when the fan comes on	Yes	No	N/A	N/A
Shuts off when the fan shuts of to save energy and increase fixture life	Yes	No	N/A	N/A
Instant on, instant off	Yes	No	N/A	N/A
Saves 80% energy	Yes	No	N/A	N/A
Advanced thermal management	Yes	No	N/A	N/A
Environmentally friendly	Yes	No	No	No
Engineered for field serviceability with reusable 'plug and play' parts	Yes	No	N/A	N/A
RoHS (Restriction of Hazardous Substance) Compliant	Yes	No	No	Yes
Long Maintenance free life span	Yes	No	N/A	No
3 years maintenance free warranty	Yes	No	N/A	No
Dry or wet disinfection	Dry	Dry	Wet	N/A
Chemical residue build up over time	No	No	Yes	No
Needs to be continuously on	No	Yes	N/A	N/A
Requires frequent maintenance for lamp/filter replacement	No	Yes	N/A	Yes
Fragile lamps	No	Yes	N/A	No
Contains hazardous chemicals and mercury	No	Yes	Yes	No
Danger of mercury contamination inside the building	No	Yes	No	No
Becomes a biohazard	No	No	No	Yes

2000 cfm



4000 cfm



For every additional 2000cfm, add a Titan.

APPLICATIONS

SMALL & LARGE SCALE INDUSTRIES



RELIGIONAL PLACES



HAIR SALONS



SCHOOLS & EDUCATIONAL INSTITUTIONS



LONG-TERM CARE HOMES



HOSPITAL



SHOPPING MALLS



GYM & RECREATIONAL FACILITIES



RESTAURANTS & HOTELS



SPORTS ARENAS



AIRPORTS



FDA
COMPLIANT



ETL
LISTED
US
Intertek



Proudly Designed, Engineered & Manufactured in Canada.



www.nexnord.com



111 Sherwood Drive, Unit 22,
Brantford, Ontario N3T 6J9



519-304-0372



info@nexnord.com